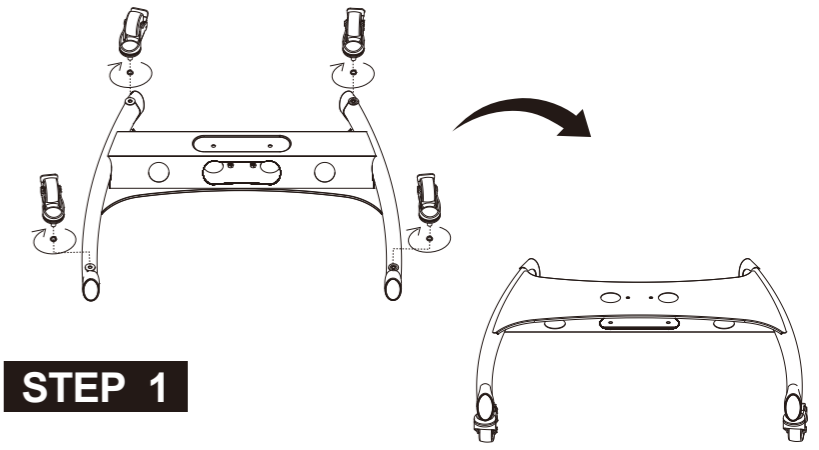
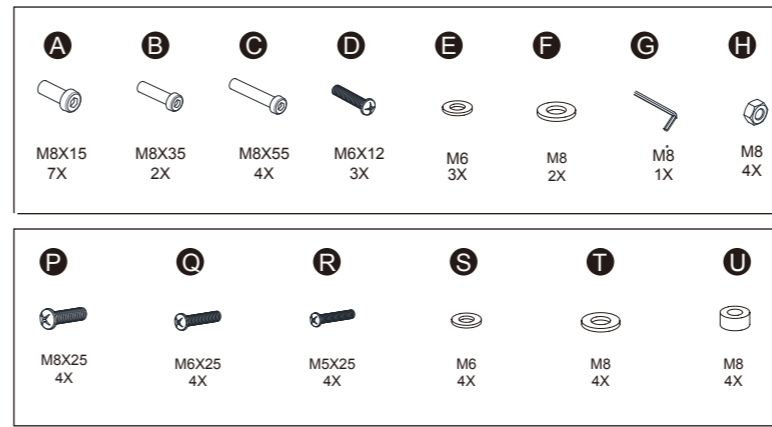
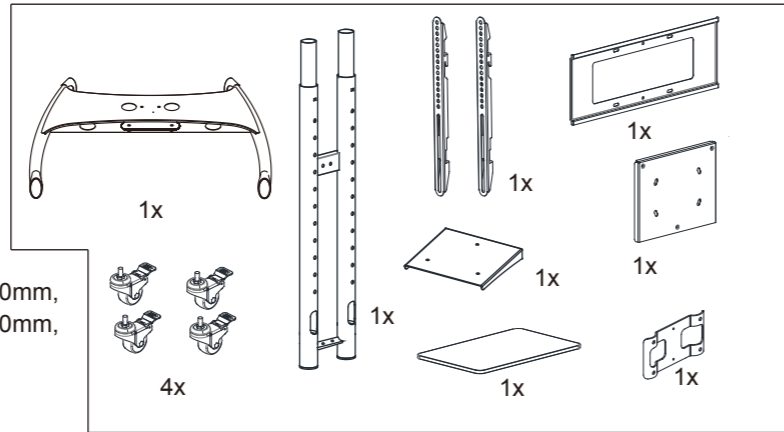
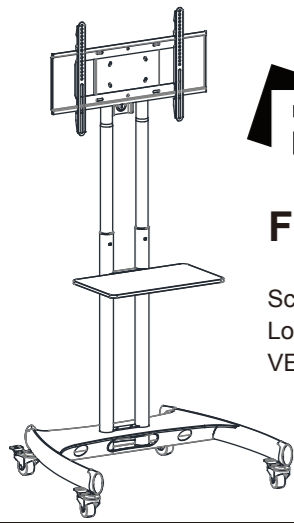


INSTALLATION MANUAL

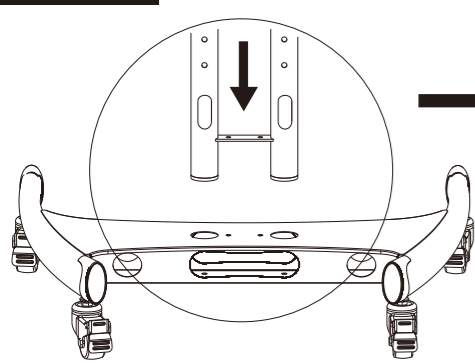


FOR5020S

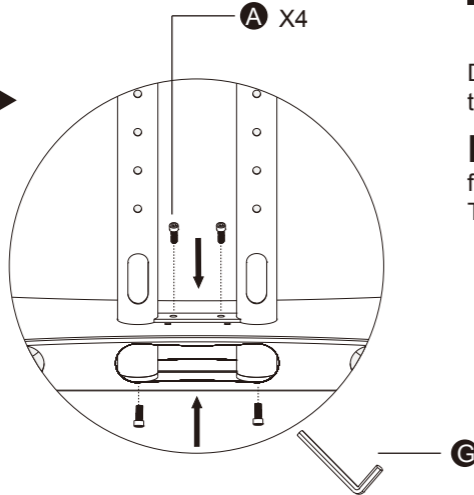
Screen sizes : 32"-70"
 Load capacity : 100lbs
 VESA : 100x100mm, 200x200mm,
 300x300mm, 400x400mm,
 600x400mm



STEP 2



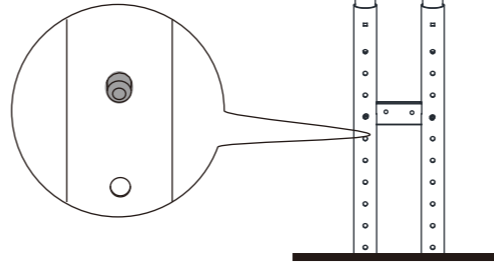
Note: Please keep cables management holes facing the back of base



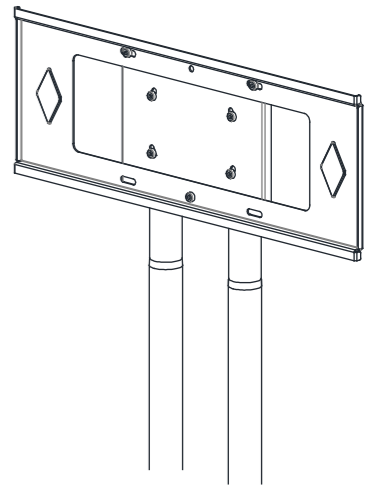
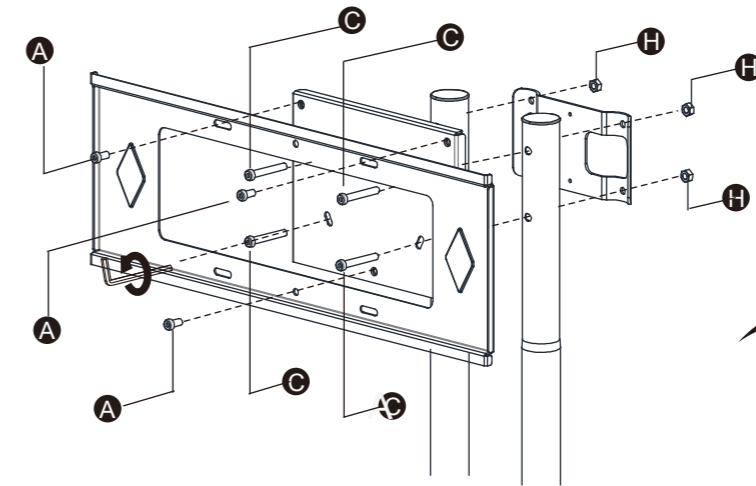
STEP 3

Desired height can be reached by adjusting the poles via depressing the spring plunger balls.

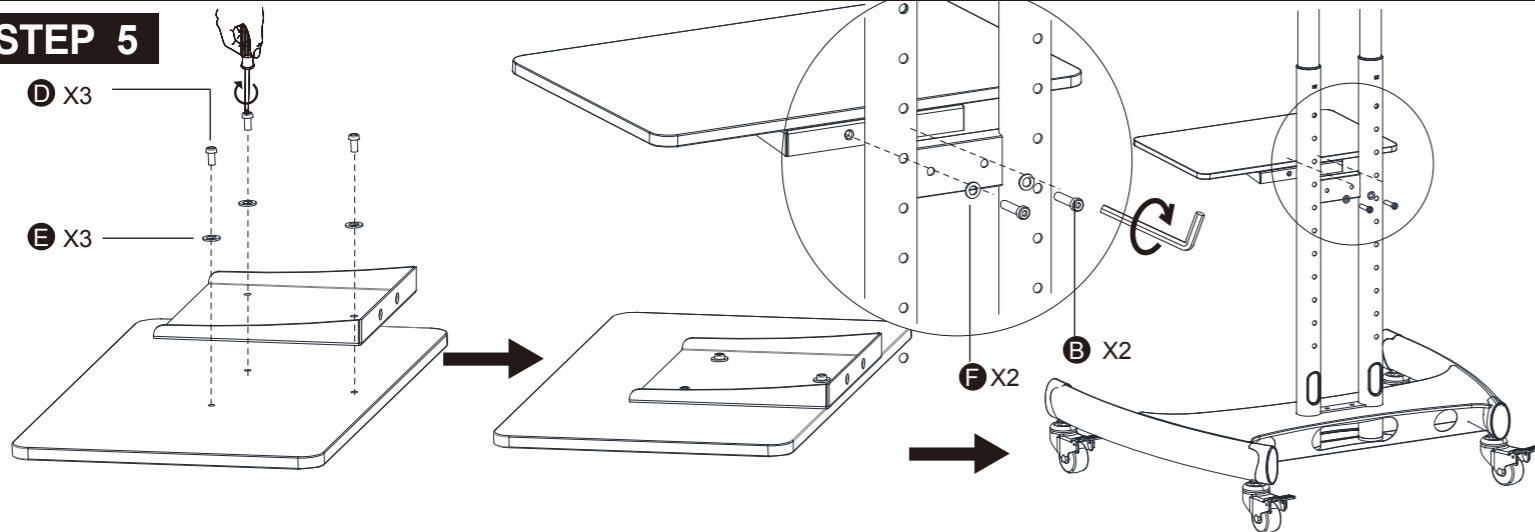
Note: Please ensure spring is fully latched before mounting TV set.



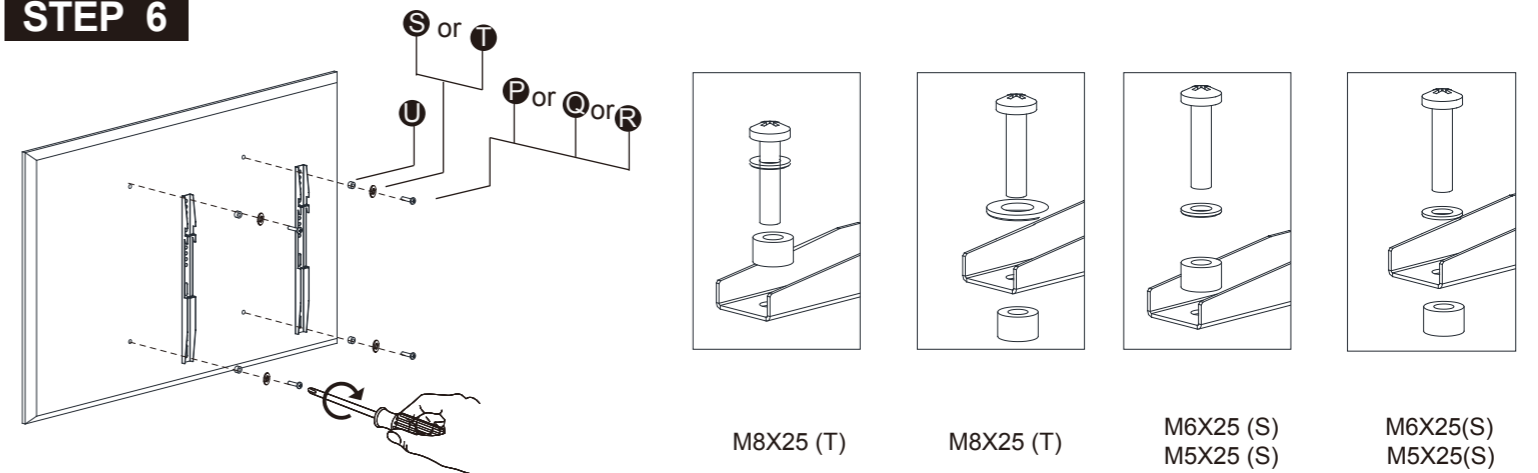
STEP 4



STEP 5



STEP 6



STEP 7

