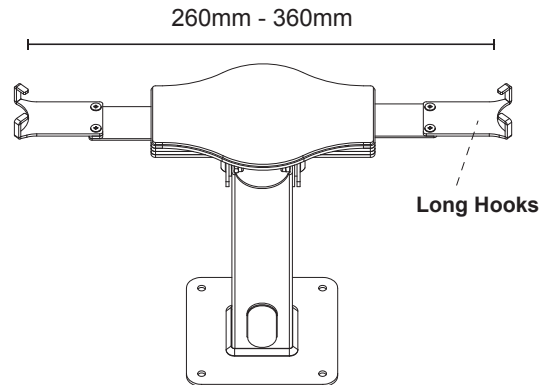
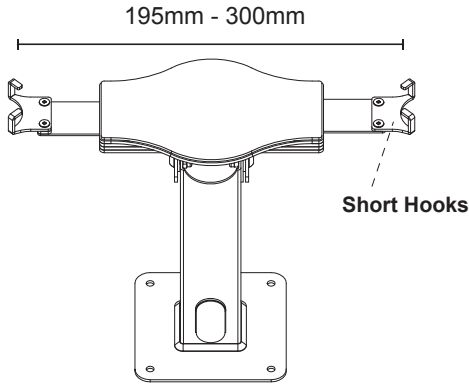
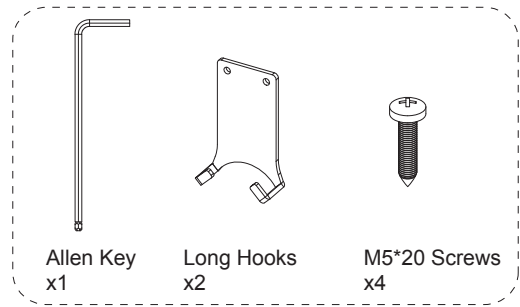
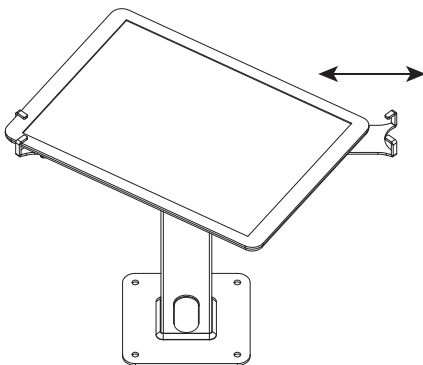


Counter X7 - Universal Tablet Mount

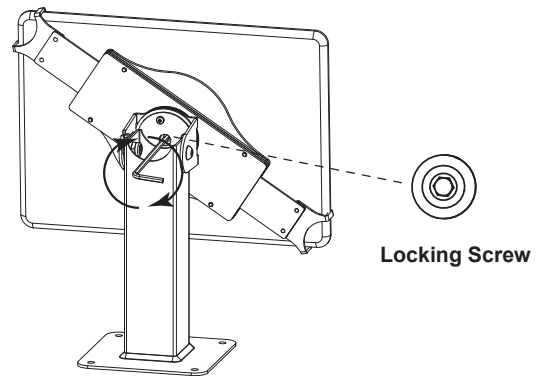
Model: FOR120-010



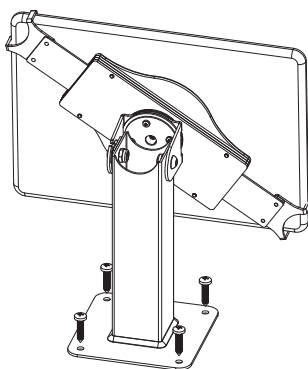
Step 1: This mount is supplied with 2x long hooks for larger tablets. If required, swap the small hooks (already - attached to the mount) for the long hooks. To swap the hooks, remove the two screws on each hook using a Phillips screwdriver.



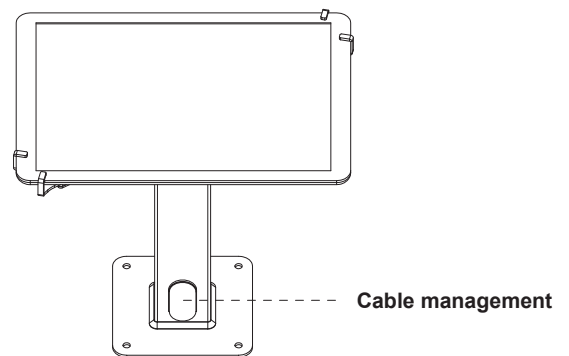
Step 2: Pull apart the spring loaded hooks and diagonally insert your Tablet.



Step 3: Using the supplied Allen Key, tightening the screw at the rear of the stand by turning it clockwise.



Step 4: Use the supplied screws and sticky pad to fix the mount to a counter-top.



Step 5: You can run a charging cable through the main post. Your cable can run through the bottom of the post or via the cable management cut-out on the post (which you can cover with supplied plastic cap if not used).